

K A L I N A S E N O V

[www.kalinasenov.com](http://www.kalinasenov.com)

[info@kalinasenov.com](mailto:info@kalinasenov.com)

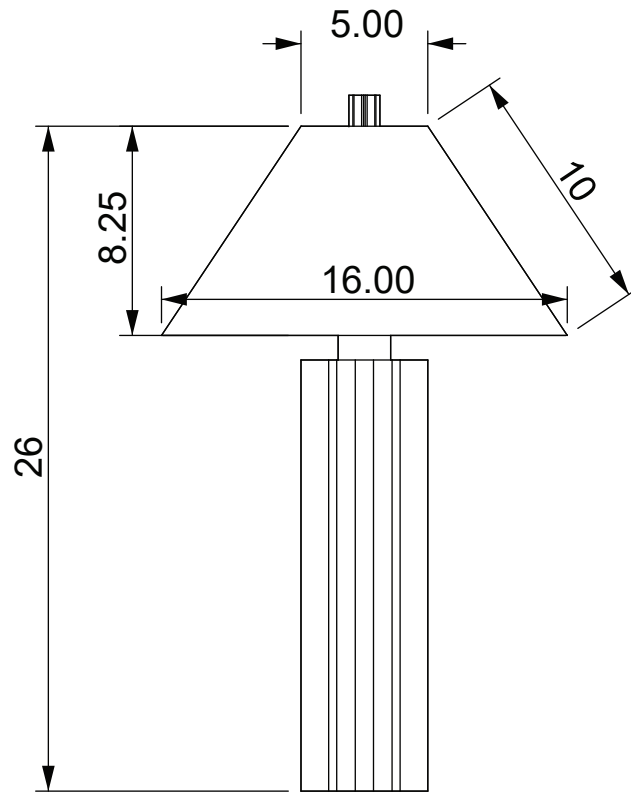
t. +1 912 503 5005

F I N \_ S H A D E

N O V E M B E R G R E E N



## F I N \_ S H A D E



Dimensions: L: 16" | H: 26" | W: 16"

Handbuilt Ceramic Lamp

Fabric Covered Power Cord

Full Range Dimmer Knob

Bulbs: 1 x E26 LED Bulbs, 2700K, 6 W,+ 90 CRI, Included with each lamp

