

K A L I N A S E N O V

www.kalinasenov.com

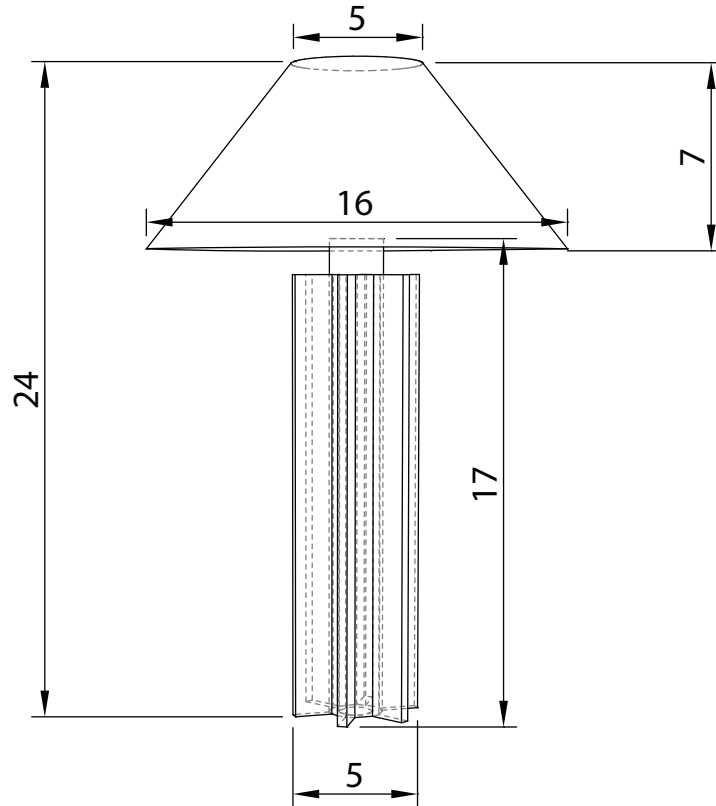
info@kalinasenov.com

t. +1 912 503 5005

F I N _ S H A D E



F I N _ S H A D E



Dimensions: L: 16" | H: 24" | W: 16"

Handbuilt Ceramic Lamp

Fabric Covered Power Cord

Full Range Dimmer Knob

Bulbs: 2 x E12 LED Bulbs, 2700K, 6 W (1100 Lumens total),+ 90 CRI, Included with each lamp



K A L I N A S E N O V

www.kalinasenov.com

info@kalinasenov.com

t. +1 912 503 5005

F I N _ S H A D E

F I N I S H E S



N O V E M B E R G R E E N



G O L D

