

K A L I N A S E N O V

www.kalinasenov.com

info@kalinasenov.com

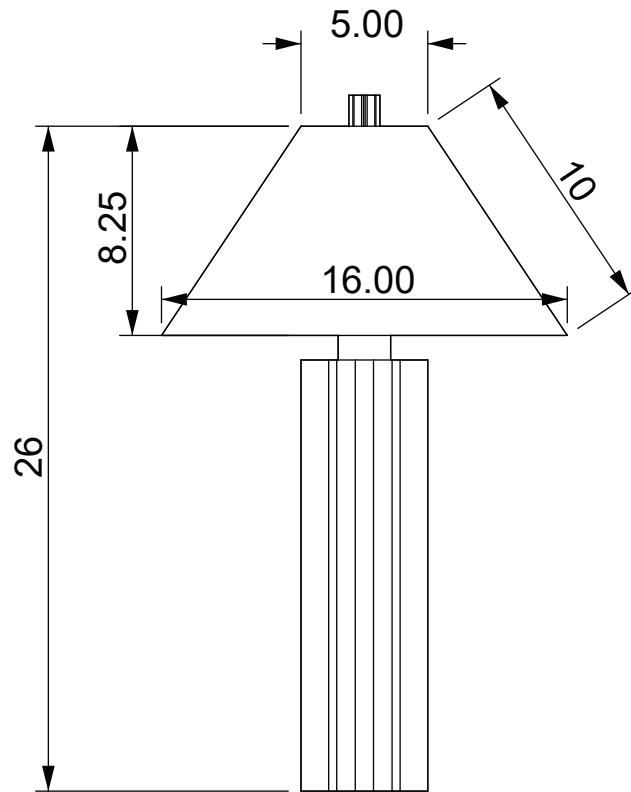
t. +1 912 503 5005

F I N _ S H A D E

G L A C I E R B L U E



F I N _ S H A D E



Dimensions: L: 16" | H: 26" | W: 16"

Handbuilt Ceramic Lamp

Fabric Covered Power Cord

Full Range Dimmer Knob

Bulbs: 1 x E26 LED Bulbs, 2700K, 6 W,+ 90 CRI, Included with each lamp

