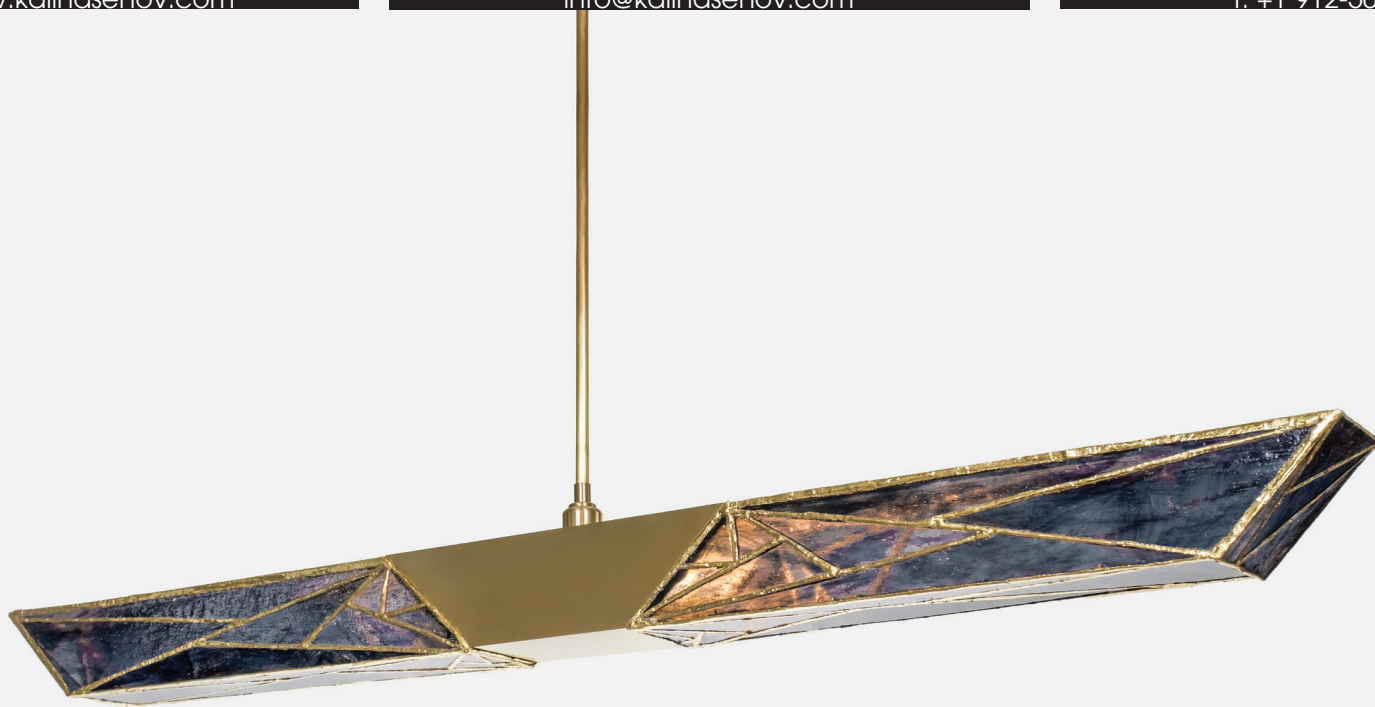


K A L I N A S E N O V

www.kalinasenov.com

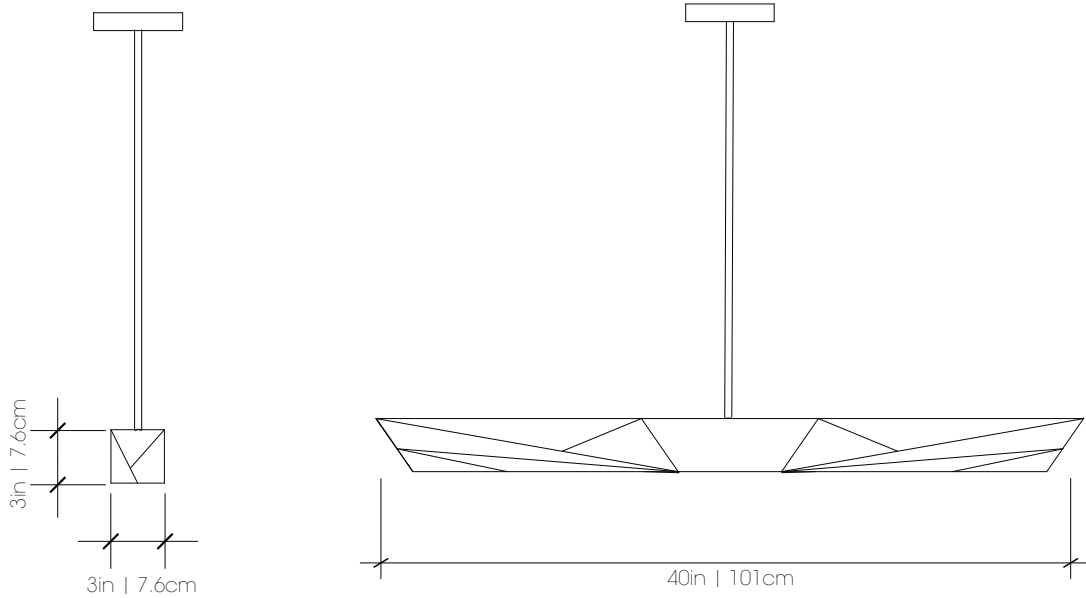
info@kalinasenov.com

t. +1 912-503-5005



S C E P T R E





S C E P T R E

Dimensions: L: 40" | H: 3" | W: 3"

Materials: glass | brass | metal leaf

Suspension: please inquire for custom length

Canopy: W: 5" | L: 5" | H: 1"

Bulbs: 2 x PAR 16 LED bulb | 2700 K | 8W | 900 lumens total output

Lead Time: 8-12 weeks

