

K A L I N A S E N O V

[www.kalinasenov.com](http://www.kalinasenov.com)

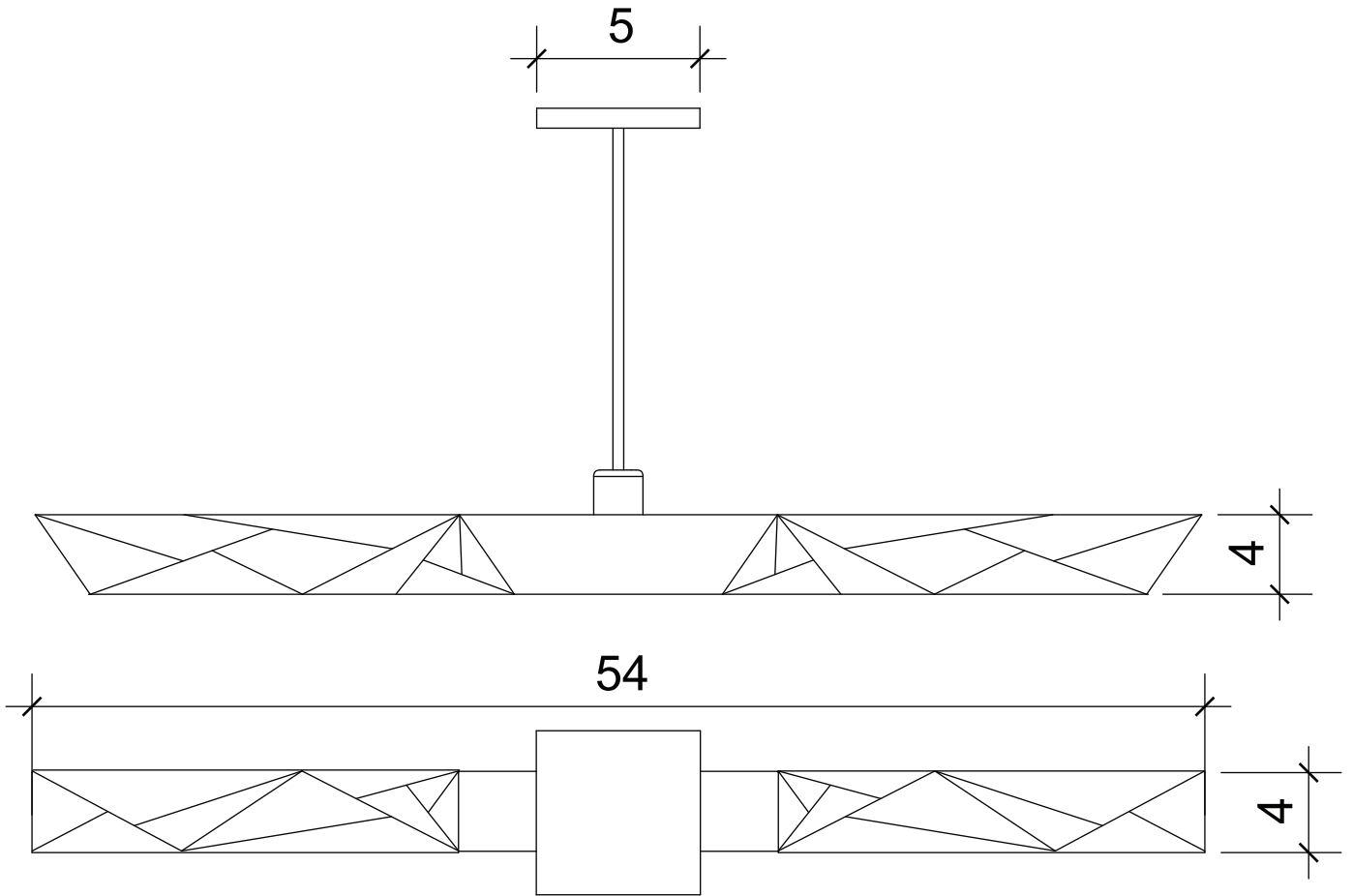
[info@kalinasenov.com](mailto:info@kalinasenov.com)

t. +1 912 503 5005



S C E P T R E  
S T O N E





## S C E P T R E S T O N E

Dimensions: L: 54" | H: variable" | W: 4"

Materials: Glass | Carrara marble | Brass

Bulbs: 2 x E26 + 1xG9 LED bulb

Suspension: custom length

custom glass options available

